



# HOSHIZAKI

## CERTIFICATION



HACCP International



ISO9001

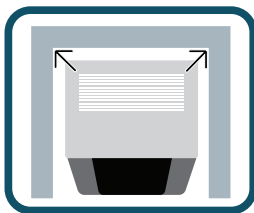
## DCM-120LS-P-HC ICE & WATER DISPENSER



### Key Features



**Eco-Friendly Refrigerant**



#### Perfect fit

There are no exhaust outlet on the left and right sides and the back, so it can be placed close to the wall.



#### Hygienic design

This Lever type of ice dispenser prevents touching the lip of a glass.



#### Easy for daily cleaning

Draining board can be removed



#### Easy for maintenance

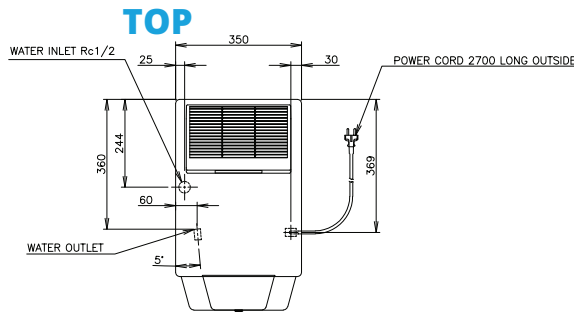
Notify when parts should be replaced

Hoshizaki DCM series are ice/water dispensers producing high-quality servings of cubelet ice and/or water. The three steps of quality ice production, protected ice storage, as well as quick service of ice are all combined in one device – with the help of only one button your refreshment is ready in seconds. With DCM DISPENSERS the user can select from these options:

- » Cubelet ice only
- » Cubelet ice and water
- » Water only

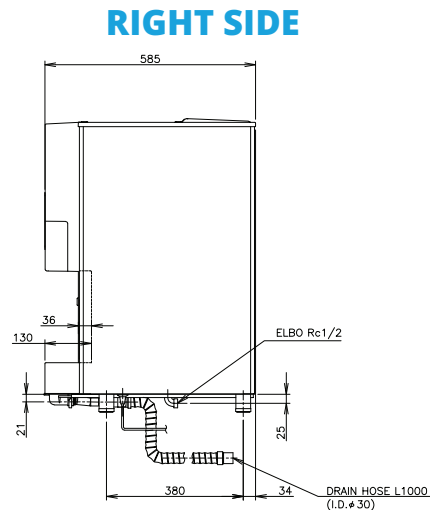
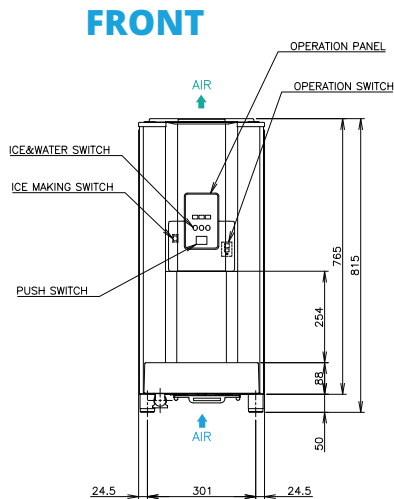
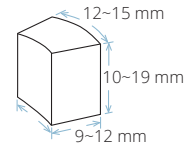


## Dimensions & Specifications



## ICE SHAPE

**Cubelet**  
Compressed Flake Ice



MODEL		DCM-120LS-P-HC
ICE SHAPE		Cubelet (Compressed Flake Ice)
POWER SUPPLY		1 Phase 220-240V 50Hz Capacity: 0.69kVA (3.0A)
AMPERAGE		2.4A Started: 9.7A
ELECTRIC CONSUMPTION		391W
HEAT REJECTION		(AT32°C / WT21°C) 760W
ICE PRODUCTION PER 24H		(AT10°C / WT10°C) 120kg
		(AT21°C / WT15°C) 110kg
		(AT32°C / WT21°C) 90kg
ICE DISPENSING RATE (40G / CUP)		(AT10°C / WT10°C) Approx. 225 cups / h
		(AT21°C / WT15°C) Approx. 214 cups / h
		(AT32°C / WT21°C) Approx. 193 cups / h
STORAGE CAPACITY		Approx. 4.0kg
WATER CONSUMPTION PER 24H		(AT32°C / WT21°C) 90L
REFRIGERANT		R290
OUTSIDE DIMENSIONS		350mm(W) x 585mm(D) x 815 (- 830)mm(H)
PACKAGE		Carton 400mm(W) x 641mm(D) x 872mm(H)
WEIGHT		44kg (Gross 48kg)
OPERATING CONDITIONS		Ambient Temp: 5-40°C, Water Supply Temp: 5-35°C
		Water Supply Pressure: 0.05-0.78MPa
		Voltage Range: Rated Voltage ±6%



# HOSHIZAKI

**HOSHIZAKI MALAYSIA SDN. BHD.**

No. 12, Jalan Penyajak U1/45B, Hicom-Glenmarie Industrial Park, 40150 Shah Alam, Selangor  
TEL (+60) 3 5569 8023 | <https://hoshizaki.com.my/>

